

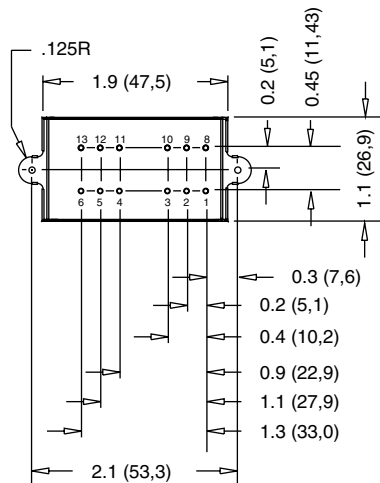
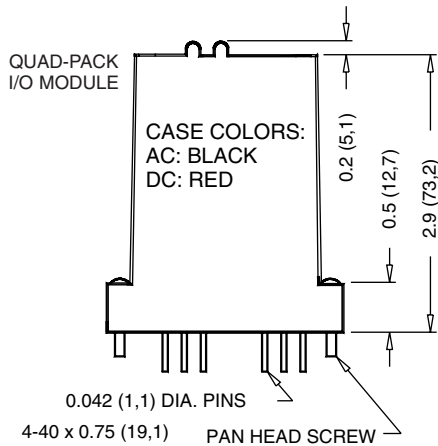
DIGITAL I/O MODULES

QUAD-PACK OUTPUT MODULES

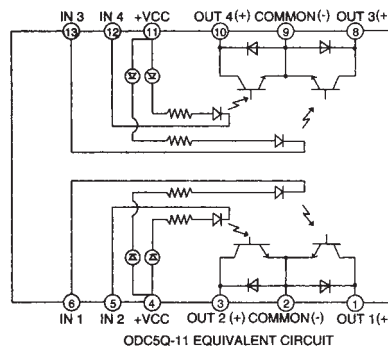
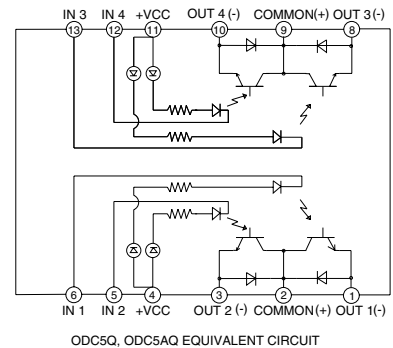
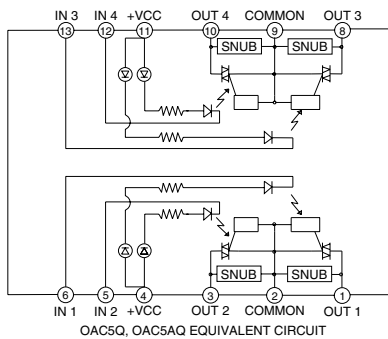


FEATURES:

- CE Compliant
- UL Recognized (E46203)/CSA Certified (38595)
- AC Modules have High Current Thyristor with 100 Amp Surge Capability
- Zero or Random Turn-On Available in AC Modules
- Plug into Mounting Boards for 0.6" Modules
- 4 kV Optical Isolation
- Industry Standard Packaging
- 3.5 Amp AC Modules Provide Extra Switching Capability
- 4 Outputs per Quad-Pack Module



DIMENSIONS: INCHES (MILLIMETERS)
TOLERANCE: ±0.020 (±0,50)



Products and specifications subject to change without notice.
Consult factory for application assistance.

DIGITAL I/O MODULES

QUAD-PACK OUTPUT MODULES

INPUT SPECIFICATIONS: (1)

Model Number	OAC5Q OAC5AQ OAC5ARQ OAC5RQ	ODC5Q ODC5Q.11	Units
Nominal Voltage	5.0	5.0	VDC
Minimum Voltage	4.0	4.0	VDC
Maximum Voltage	8.0	8.0	VDC
Drop-Out Voltage	1.0	1.0	VDC
Maximum Current (2)	20.0	18.0	mA
Resistance (3)	220	250	Ohms

OUTPUT SPECIFICATIONS: (1)

Model Number	OAC5Q OAC5RQ	OAC5AQ OAC5ARQ	ODC5Q ODC5Q.11
Nominal Line Voltage	120 VAC	240 VAC	5-48 V
Minimum Line Voltage	12 VAC	24 VAC	3.0 V
Maximum Line Voltage	140 VAC	280 VAC	60 V
Max Off-State Voltage (4)	400 Vpeak	600 Vpeak	60 V
Max Off-State Leakage (5)	.1 mArms	.1 mArms	10 μ A
Static Off-State dv/dt (6)	200 V/ μ sec	200 V/ μ sec	N/A
Maximum Rated On-State Current (7)	3.5 Arms	3.5 Arms	3.0 A
Min On-State Current	50 mArms	50 mArms	10 mA
Max Surge Current (8)	100 Apeak	100 Apeak	5.0 A
On-State Voltage Drop or Resistance (9)	1.6 V	1.6 V	1.5 V

GENERAL SPECIFICATIONS: (1)

Model Number	OAC5Q OAC5AQ	OAC5RQ OAC5ARQ	ODC5Q ODC5Q.11	Units
Operating Temperature Range	-30 to 80	-30 to 80	-30 to 80	$^{\circ}$ C
Storage Temperature Range	-40 to 100	-40 to 100	-40 to 100	$^{\circ}$ C
Maximum Turn-on Time (10)	8.33	0.1	0.1	mSec
Maximum Turn-off Time (10)	8.33	8.33	0.75	mSec
Input/Output Isolation Voltage (11)	4000	4000	4000	VAC
Input/Output Capacitance (typical)	8	8	8	pF
Line Frequency Range	47 to 63	47 to 63	DC	Hertz

TABLE OF MODEL NUMBER SUFFIXES IDENTIFYING OPTIONAL FEATURES

Suffix	Feature
A	High voltage versions (240 VAC for AC modules)
Q	Four-channel Quad-pack module.
R	Random AC voltage turn-on.
-11	Common emitter output version of ODC5Q module.

Notes:

- (1) Specifications apply to each Quad-Pack channel at an ambient temperature of -30 to 80 $^{\circ}$ C unless otherwise noted.
- (2) At nominal input voltage, without external LED status indicator.
- (3) +/-10% at 25 $^{\circ}$ C.
- (4) Maximum 1 minute duration for OACQ modules when applied as a DC voltage rather than peak AC voltage.
- (5) At maximum line voltage, 25 $^{\circ}$ C for OACQ modules, and 80 $^{\circ}$ C for ODCQ modules.
- (6) Minimum dv/dt per EIA/NARM RS443, method RS397. dv/dt ratings do not apply to ODCQ modules.
- (7) At 40 $^{\circ}$ C, derate OACQ modules by 58 mA/ $^{\circ}$ C to 80 $^{\circ}$ C; derate ODCQ modules by 50 mA/ $^{\circ}$ C to 80 $^{\circ}$ C. CSA rating of OACQ modules is 3.0 Arms at 40 $^{\circ}$ C.
- (8) At 25 $^{\circ}$ C. Maximum duration: 1 AC cycle for OACQ modules, 1 second for ODCQ modules.
- (9) At maximum rated on-state current and 25 $^{\circ}$ C.
- (10) At maximum line voltage, maximum rated output current, nominal input voltage, 25 $^{\circ}$ C. Switching speed of OACQ modules based upon 60 Hz line frequency.
- (11) At 25 $^{\circ}$ C for 1 second maximum duration.

Products and specifications subject to change without notice.
Consult factory for application assistance.